

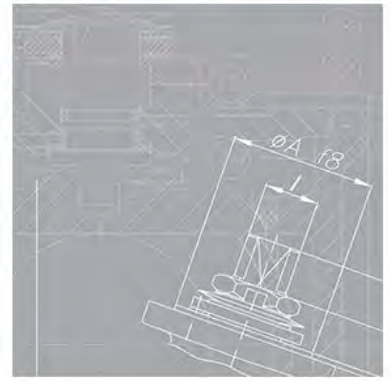
Technical Datasheet

ANSI Ball Valves

715
730

JC
VALVES

The quality option



sales@jc-valves.com

www.jc-valves.com



FUGITIVE EMISSIONS
EN-ISO 15848-1
TALUFT / VDI 2440

- Valve design: Reduced Bore API 6D
- Body design: ASME VIII Div.1
- Shell thickness: ASME B16.34
- Flanges: ASME B16.5 Raised Face
- Face to face dimensions: ASME B16.10 Short Pattern
- Marking: CE - PED / MSS SP-25 / API 6D
- Pressure testing: API 598 - API 6D
- ISO 5211
- Shell finishing quality: MSS SP-55
- NACE MR0175 / ISO 15156 - NACE MR0103 / ISO 17945

Certifications

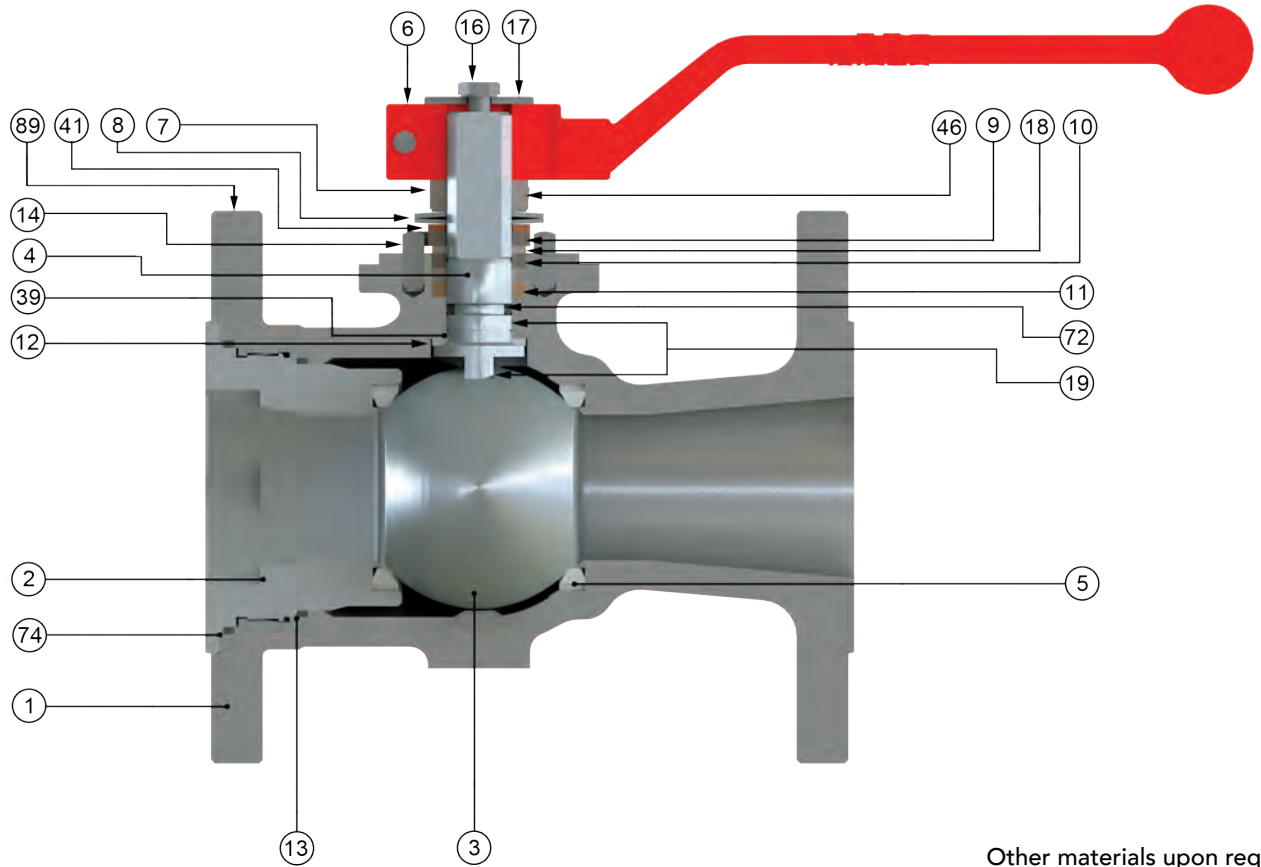
Company Certifications

- ISO9001 Quality Management System
- ISO14001 Environmental Management System
- API Monogram License 6D-0197, 600-0016

Product Certificates

- Fire Safe API 607, ISO 10497, API 6FA
- PED 2014/68/EU - CE marking
- ATEX 2014/34/EU– (II2GD)
- Russian Federation Certificate TRCU 10, TRCU 12, TRCU 32
- Food processing and pharmaceutical industry FDA, USP CLASS VI COMPLIANCE (CE 1935/2004) - *Optional*
- Safety Integrity Level (SIL) LEVEL 3 IEC 61508
- CRN (Canadian Registration Number)
- AGA 8328 G – AS4617 2004 amd 1 - AGA marking (Australian Gas Association)
- Fugitive Emissions ISO 15848 TA LUFT (VDI 2440)

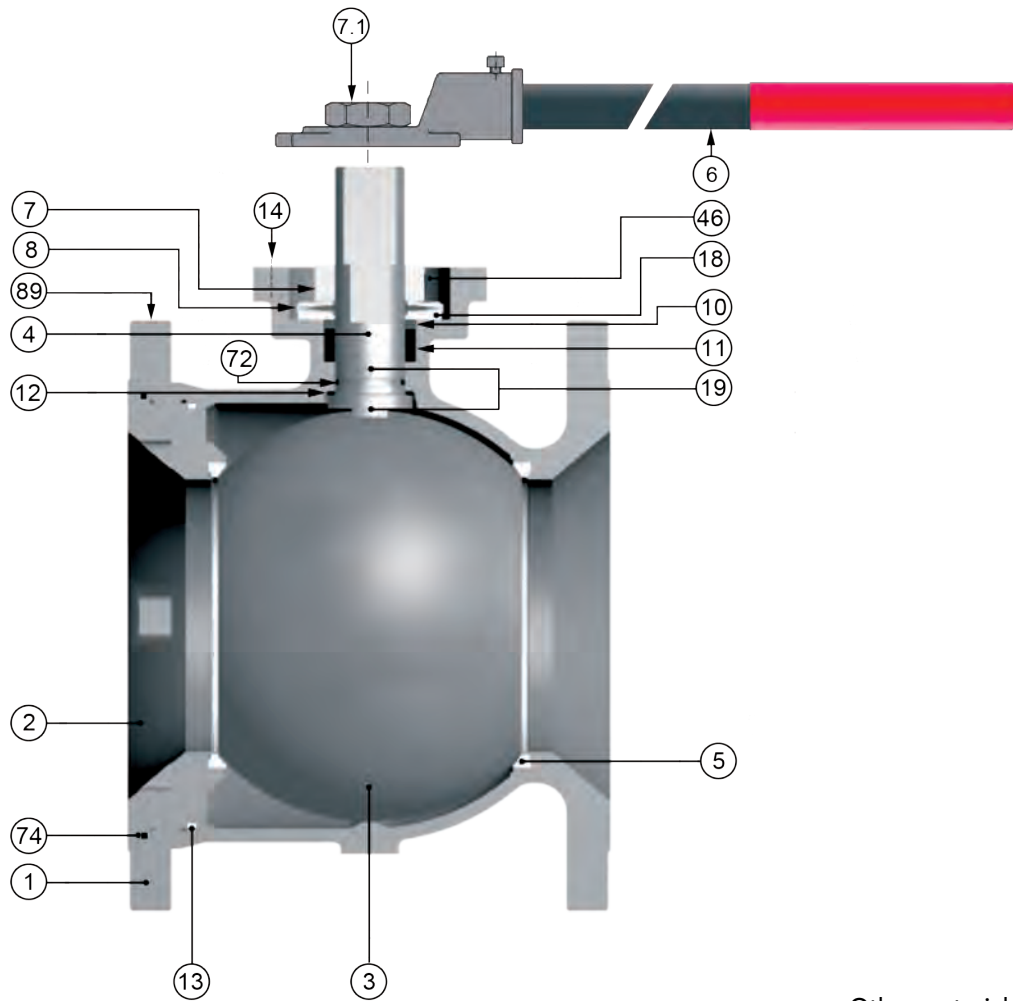
ANSI Ball Valves Floating



Other materials upon request

Item	Description	Material		
		A.I.T	I.I.T	L.I.T.
1 / 2	Body / Body Connector	A 216 Gr. WCB (C ≤ 0,25%)	ASTM A 351 Gr. CF8M	ASTM A 352 LCC
3	Ball	ASTM A 351 Gr. CF8M (DN 15 to 50 A182 Gr. F316)		
4	Stem	ASTM A 479 Tp.316		
5	Seat ring	PTFE		
6	Wrench	A 216 Gr. WCB		
7	Gland nut	Zinc plated carbon steel	AISI 303	
8	Disk spring	Carbon St.	A 666 TP.301	
9	Stop plate	Carbon St.	AISI 304	
10	Gland	AISI 303	AISI 316	
11	Gland packing	Graphite		
12	Stem thrust seal	25% G.F. PTFE		
13	Body connector seal	PTFE		
14	Stop pin	Carbon St.	Stainless St.	
16	Bolt	DIN 933 A4-70		
17	Washer	AISI 304		
18	Thrust washer	25% G.F. PTFE		
19	Antistatic device	Stainless St.		
39	Stem bushing (DN 25 to DN 200)	25% G.F. PTFE		
41	Spacer (DN 40 to 200)	Carbon St.	AISI 304	
46	Washer	AISI 304		
72	O-Ring	FKM		
74	Insert Seal	Graphite		
89	Identification plate	Stainless St.		

ANSI Ball Valves Flowating

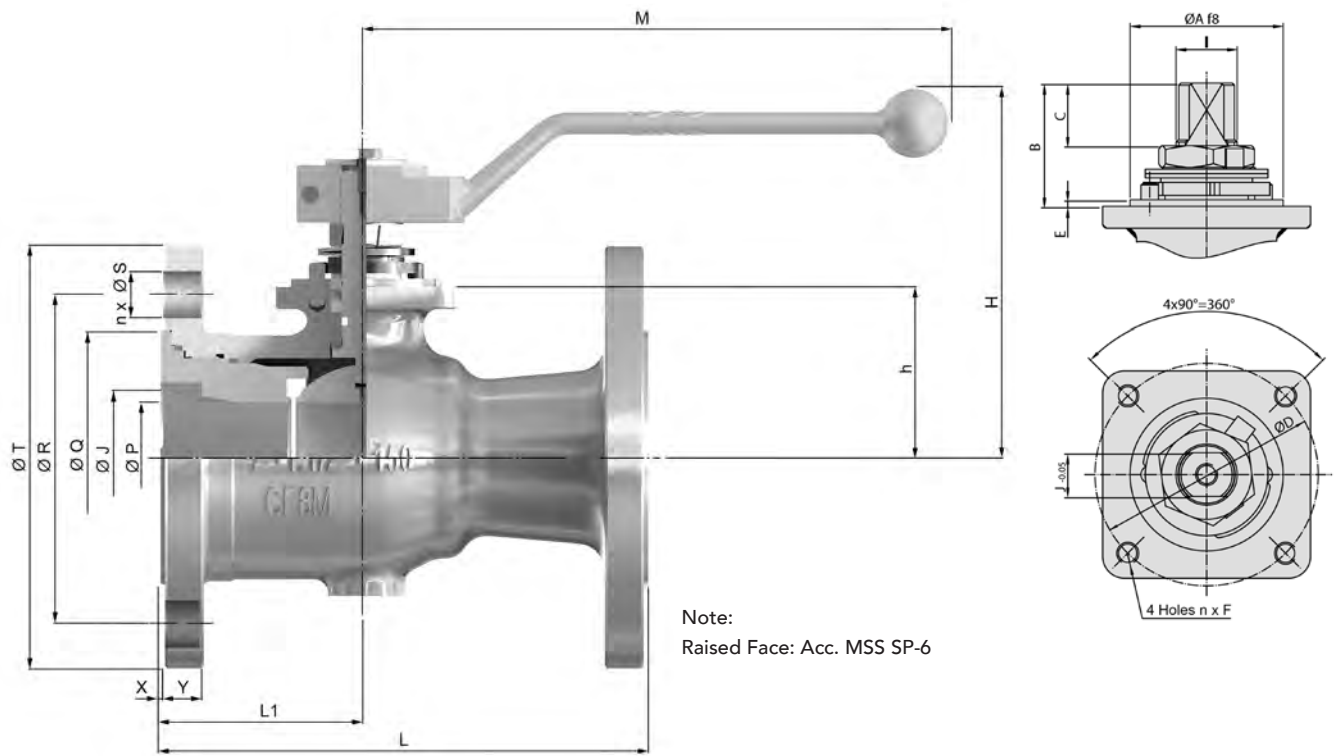


Other materials upon request

Item	Description	Material		
		A.I.T	I.I.T	L.I.T.
1 / 2	Body / Body Connector	A 216 Gr. WCB (C ≤ 0,25%)	ASTM A 351 Gr. CF8M	ASTM A 352 LCC
3	Ball	ASTM A 351 Gr. CF8M		
4	Stem	ASTM A 479 Tp.316		
5	Seat ring	PTFE		
6	Wrench	A 216 Gr. WCB		
7	Gland nut	Zinc plated carbon steel	AISI 303	
7.1	Gland nut	Zinc plated carbon steel	AISI 303	
8	Disk spring	Carbon St.	A 666 TP.301	
10	Gland	AISI 303	AISI 316	
11	Gland packing	Graphite		
12	Stem thrust seal	25% G.F. PTFE		
13	Body connector seal	PTFE		
14	Stop pin	Stainless St.		
18	Thrust washer	25% G.F. PTFE		
19	Antistatic device	Stainless St.		
46	Washer	AISI 304		
72	O-Ring	FKM		
74	Insert Seal	Graphite		
89	Identification plate	Stainless St.		

ANSI Ball Valves

F l o a t i n g



Note:
Raised Face: Acc. MSS SP-6

* Weight in Kg * Dimensions in mm

Series 715 (Class 150)

DN	ØJ	ØP	L	L1	ØQ	ØR	n x ØS	ØT	X	Y	h	H	M	WEIGHT	Kv
15 (1/2")	15	9,5	108	54	34,9	60,3	4x15,9	90	2	8	21,5	81	164	1,6	7
20 (3/4")	20	15	117	60	42,9	69,9	4x15,9	100	2	8,9	26	99	164	2,1	10
25 (1")	25	20	127	65	50,8	79,4	4x15,9	110	2	9,6	29	102	164	2,7	26
40 (1 1/2")	40	32	165	72	73	98,4	4x15,9	125	2	12,7	51	117	210	5,1	107
50 (2")	50	40	178	75	92,1	120,7	4x19,1	150	2	14,3	61,5	133	213	7,9	140
80 (3")	80	58	203	88	127	152,4	4x19,1	190	2	17,5	76	148	348	14,3	300
100 (4")	102	80	229	104	157,2	190,5	8x19,1	230	2	22,3	92,5	189	445	25,9	600
150 (6")	152	111	267	125	215,9	241,3	8x22,2	280	2	23,9	129	228	495	43,8	1.000
200 (8")	200	144	292	135	269,9	298,5	8x22,2	345	2	27	158	267	698	77	2.000

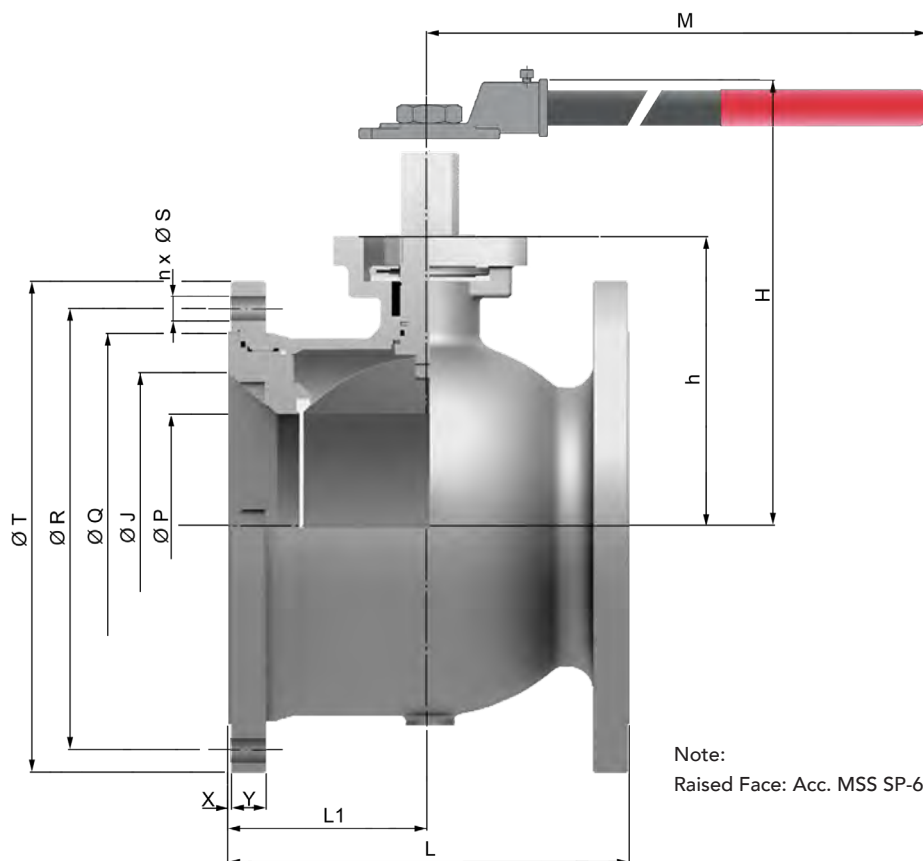
Series 730 (Class 300)

DN	ØJ	ØP	L	L1	ØQ	ØR	n x ØS	ØT	X	Y	h	H	M	WEIGHT	Kv
15 (1/2")	15	9,5	140	54	34,9	66,7	4x15,9	95	2	12,7	21,5	81	164	1,6	7
20 (3/4")	20	15	152	60	42,9	82,6	4x19,1	115	2	14,3	26	99	164	2,1	10
25 (1")	25	20	165	65	50,8	88,9	4x19,1	125	2	15,9	29	102	164	4,1	26
40 (1 1/2")	40	32	190	72	73	114,3	4x22,2	155	2	19,1	51	117	210	8,2	107
50 (2")	50	40	216	75	92,1	127	8x19,1	165	2	20,7	61,5	134	213	10,9	140
80 (3")	80	58	282	88	127	168,3	8x22,2	210	2	27	76	148	348	21,4	300
100 (4")	102	80	305	104	157,2	200	8x22,2	255	2	30,2	92,5	189	445	28,9	600

Actuator Connection

DN	ISO 5211	ØA	B	C	ØD	n x F	E	I	J
15 (1/2")	F05	35	22	7,9	50	4x M6	1,5	M10x1,5	7
20 (3/4")	F05	35	22,7	8,5	50	4x M6	3	M12x1,5	9
25 (1")	F05	35	22,7	8,5	50	4x M6	3	M12x1,5	9
40 (1 1/2")	F05	35	34,5	14	50	4x M6	3	M16x1,5	12
50 (2")	F07	55	42	18,8	70	4x M8	3	M18x1,5	13
80 (3")	F07	55	44	18,6	70	4x M8	3	M22x1,5	16
100 (4")	F10	70	44,5	18,6	102	4x M10	3	M25x1,5	18
150 (6")	F12	85	56,5	27,8	125	4x M12	3	M28x1,5	20
200 (8")	F12	85	56	24,8	125	4x M12	3	M35x2	25

ANSI Ball Valves Floating



Note:
Raised Face: Acc. MSS SP-6

Series 715N (Class 150)

* Weight in Kg * Dimensions in mm

DN	ØJ	ØP	L	L1	ØQ	ØR	n x ØS	ØT	X	Y	h	H	M	WEIGHT	Kv
250 (10")	254	187	330	165,5	323,8	362	12x25,4	405	2	28,6	239	---	---	115	4.100

Series 730N (Class 300)

DN	ØJ	ØP	L	L1	ØQ	ØR	n x ØS	ØT	X	Y	h	H	M	WEIGHT	Kv
150 (6")	152	100	403	125	215,9	269,9	12x22,2	320	2	35	144	245	465	65	1.130
200 (8")	200	151	419	135	269,9	330,2	12x25,4	380	2	39,7	203	263	684	107	2.500

Actuator Connection

DN	ISO 5211	B	C	ØD	n x F	I	J
150 (6")	F10	45	43,5	102	4x M10	M28x1,5	19
200 (8")	F12	56	54,5	125	4x M12	M36x1,5	24
250 (10")	F16	69	67	165	4x M20	M48x3	32

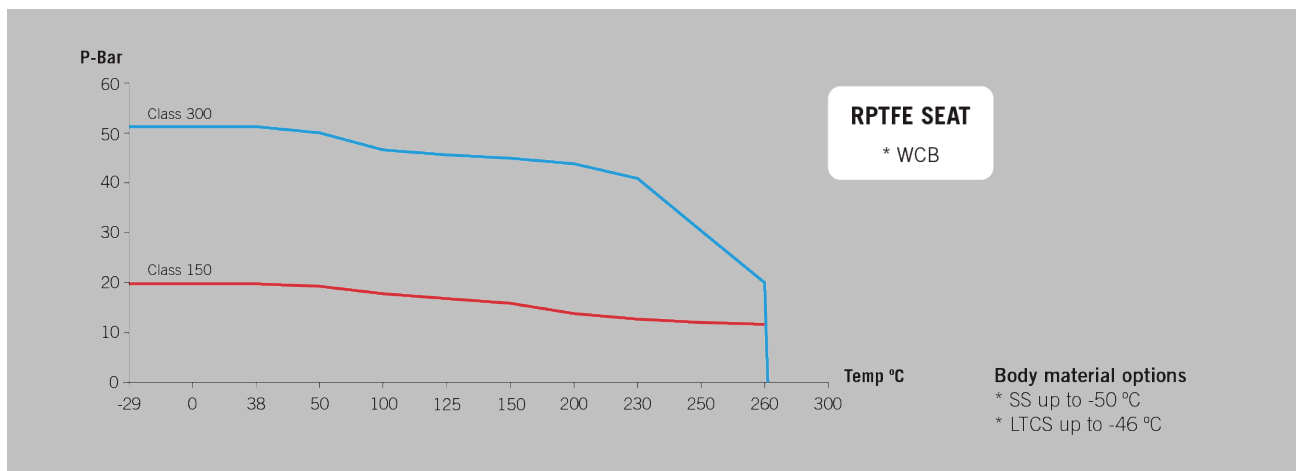
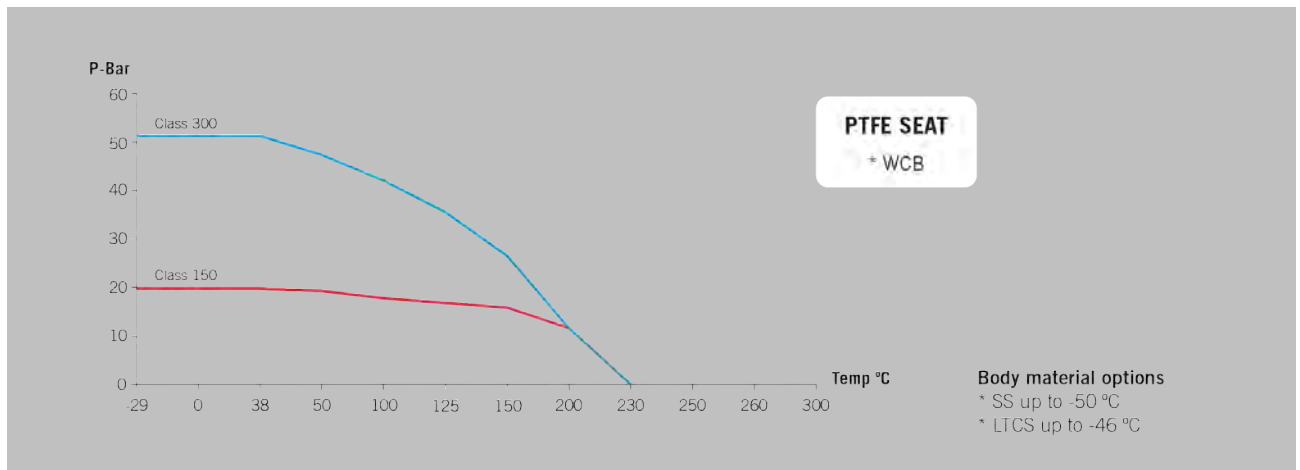
Differential Pressure 150 Lbs

DN	BTO	RTO	ETO	BTC	RTC	ETC	MAST
15 (1/2")	8	4	5	6	4	6	13
20 (3/4")	9	5	5	7	5	7	26
25 (1")	11	6	7	8	6	9	26
40 (1 1/2")	17	9	10	13	9	14	69
50 (2")	28	14	17	21	14	22	85
80 (3")	58	29	35	44	29	46	176
100 (4")	85	43	51	64	43	68	246
150 (6")	228	114	137	171	114	182	305
200 (8")	352	176	211	264	176	282	607
250 (10")	540	270	324	405	270	432	1.740

Differential Pressure 300 Lbs

DN	BTO	RTO	ETO	BTC	RTC	ETC	MAST
15 (1/2")	10	5	6	8	5	8	13
20 (3/4")	12	6	7	9	6	10	26
25 (1")	16	8	10	12	8	13	26
40 (1 1/2")	26	13	16	20	13	21	69
50 (2")	35	18	21	26	18	28	85
80 (3")	70	35	42	53	35	56	176
100 (4")	90	45	54	68	45	72	246
150 (6")	238	119	143	179	119	190	355
200 (8")	530	265	318	398	265	424	734
-	-	-	-	-	-	-	-

Pressure – Temperature Charts



ANSI Ball Valves Flowing



Simple Stem Extension



Standard Stem Extension



Double Packing Stem Extension



Cavity Relief Seat



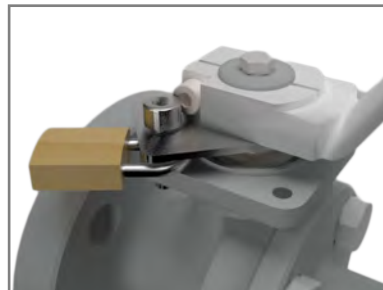
Other Seat materials



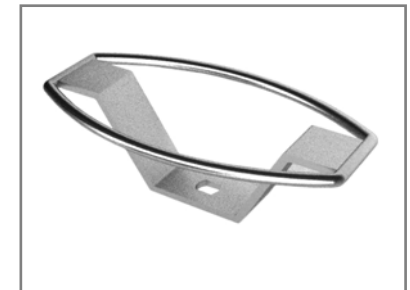
Cavity Filler Seat



Stainless Steel Lever



Locking Device



Oval Handwheel
Available from 1/2" to 2"



Manual and Declutchable
Gears



Pneumatic or Hydraulic
Scotch Yoke Actuators



Valve Automation option
available on Request